

1. Basic Construction

		Standard Shield	Tri-Shield	Quad-Shield
Conductor	Material	BC/CCS	BC/CCS	BC/CCS
	Nom.Dia.	18AWG	18AWG	18AWG
Dielectric	Material	Foam PE	Foam PE	Foam PE
	Nom.Dia.	4.57mm	4.57mm	4.57mm
Shield	Material	Al foil+Al Braiding	Al foil+ Al Braiding+ Al foil	(Al foil+Al Braiding)*2
	Coverage	40%-95%	40%-95%	60%/40%
Jacket	Material	PVC/PE	PVC/PE	PVC/PE
	Nom.Thick.	0.80mm	0.80mm	0.86mm
	Nom.Dia.	6.91mm	7.06mm	7.54mm



2. Basic Characteristics

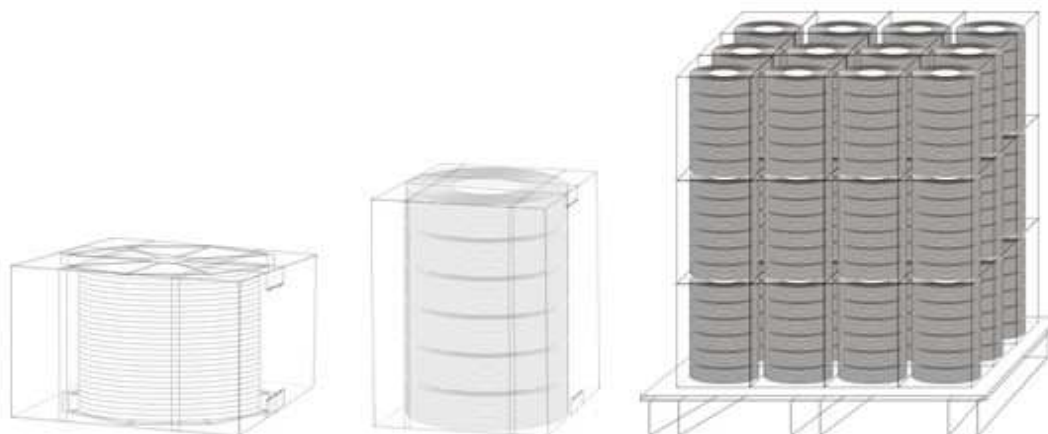
Nominal Impedance(ohm)		75±3	
Nominal Velocity of Propagation(%)		85	
Nominal Capacitance(pF/m)		50	
Sparker Test(VAC)		4000	
SRL(dB)		20	20
Attenuation 【68F (20℃)】	Frequency(MHz)	Maximum (dB/100ft)	Maximum(dB/100m)
	5	0.58	1.9
	55	1.6	5.25
	187	2.85	9.35
	300	3.55	11.64
	450	4.4	14.43
	600	5.1	16.73
	750	5.65	18.54
	865	6.1	20.01
	1000	6.55	21.49

Purchase Notice :

1. Please select the material of inner conductor :BC or CCS
2. Please select the material of jacket:PVC,PVC with RoHs,PE or LSZH.
3. Please select the packing:reel with carton or wooden spool with carton.
4. Please show us your own specification if it's not the same as ours.
5. Please inform us if you have any other requirement.

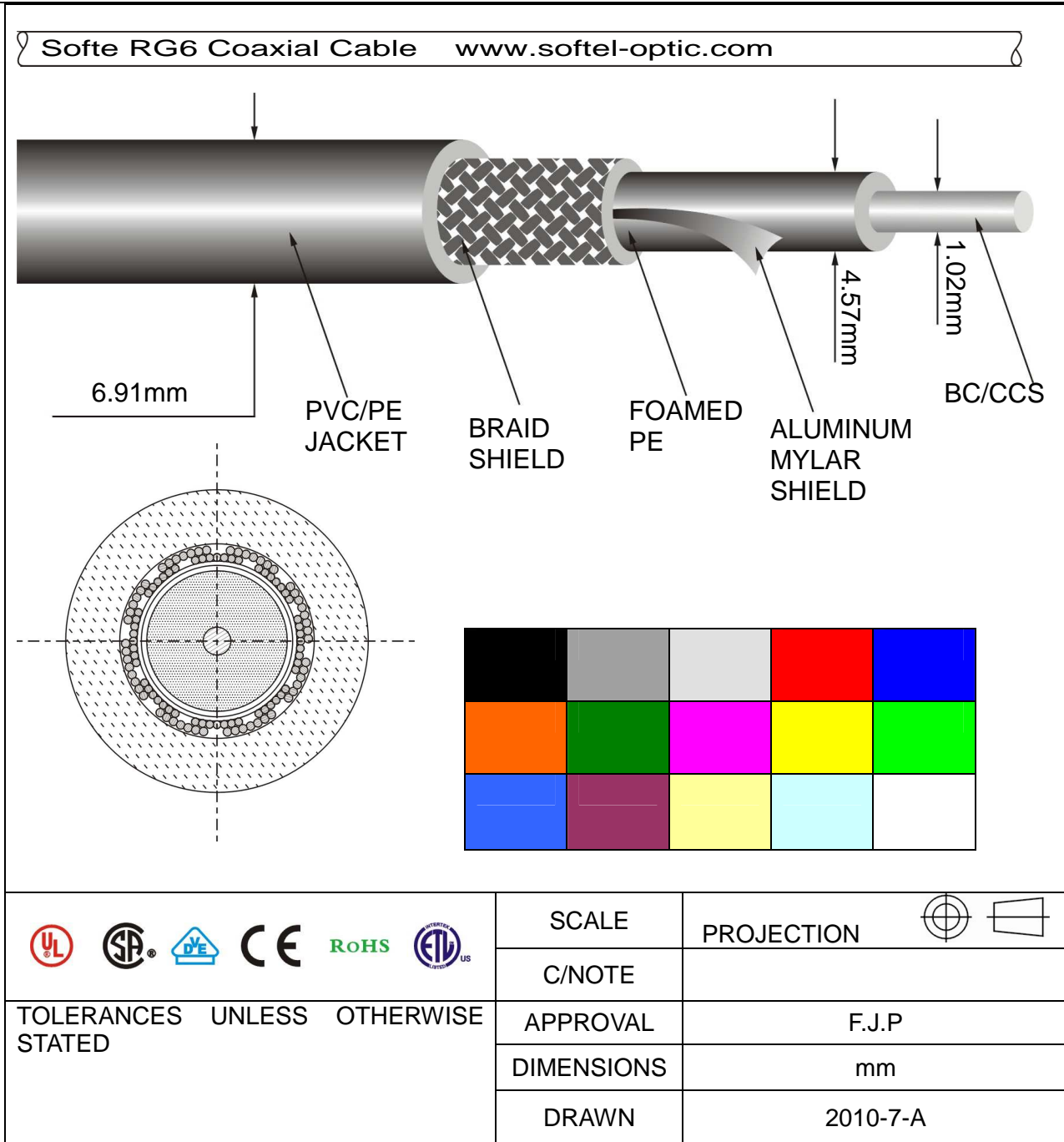
3. Packing Details

Item No.:	RG6	
Specification:	1.02BC/CCS+4.57FPE+AL Foil +AL Braiding+6.91PVC/PE	
Packing:	100M/Reel, 6Reels/Carton	305M/Wooden Spool, 1Wooden Spool/Carton
Wooden Spool Size:	No Wooden Spool	10*30*26.5CM
Image:	 Reel	 Wooden Spool
Carton Size:	55*28.5*28CM	31*31*28CM
G.W.:	25.25KG/Carton	14.08KG/Carton
N.W.:	24.75KG/Carton	12.58KG/Carton
Quantity in a 20 Feet Container	608Cartons	833Cartons



Purchase Notice :

1. Please select the material of inner conductor :BC or CCS
2. Please select the material of jacket:PVC,PVC with RoHs,PE or LSZH.
3. Please select the packing:reel with carton or wooden spool with carton.
4. Please show us your own specification if it's not the same as ours.
5. Please inform us if you have any other requirement.



Purchase Notice:

1. Please select the material of inner conductor :BC or CCS
2. Please select the material of jacket:PVC,PVC with RoHs,PE or LSZH.
3. Please select the packing:reel with carton or wooden spool with carton.
4. Please show us your own specification if it's not the same as ours.
5. Please inform us if you have any other requirement.